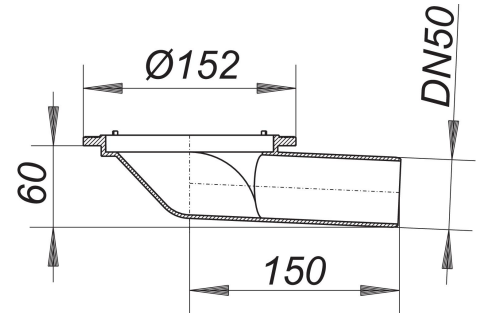


balcony drain body type 83 KF, DN 50

Part number: 830326
 GTIN: 4001636830326
 Rebate group: 3



Description:

balcony drain body type 83 KF, DN 50
 body without flange for use without a waterproofing membrane

specification:

- side outlet, 3 degrees
- temporary blanking plate

material:

polypropylene, UV-stabilized

Flow rates tested to DIN EN 1253:

Nominal diameter	Product standard	Min. flow rate according to norm	Water level according to norm
DN 50	DIN EN 1253	0.90 l/s	35.00 mm