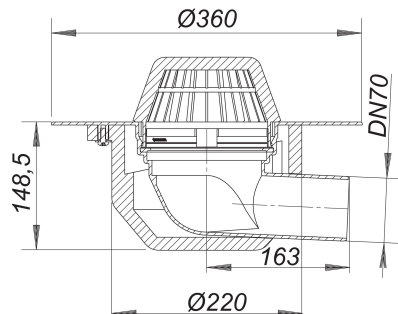


roof drain type 64 PVC, DN 70

Part number: 643070
GTIN: 4001636643070
Rebate group: 10



Description:

roof drain type 64 PVC, DN 70
conforming to DIN EN 1253
one-piece drain, moulded in PVC, PVC membranes can be welded to the flange

specification:

- insulated drain body
- side outlet DN 70 or DN 100, 3 degrees fall
- domed grate

material:

PVC

DN 70 connects to BS4514 75 mm pipework with 880345 adaptor