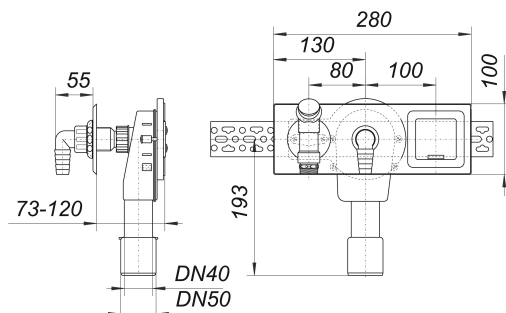


washing machine or dishwasher trap type 406 E, DN 40/DN 50

Part number: 130617
 GTIN: 4001636130617
 Rebate group: 1



Description:

washing machine or dishwasher trap type 406 E, DN 40/DN 50

SPECIFICATION

- compact recessed body
- backing plate
- fixing bracket
- cold water feed
- 1/2" on/off valve with back flow preventor and air-admittance valve
- inlet hose connector, chrome
- cover plate stainless steel 280 x 100 mm
- recess depth 73 - 120 mm
- spacer
- incorporating power socket with hinged cover

MATERIAL

polyethylene trap-body for welding HDPE

TESTED BY

DVGW (on/off valve), VDE (electrical connection)