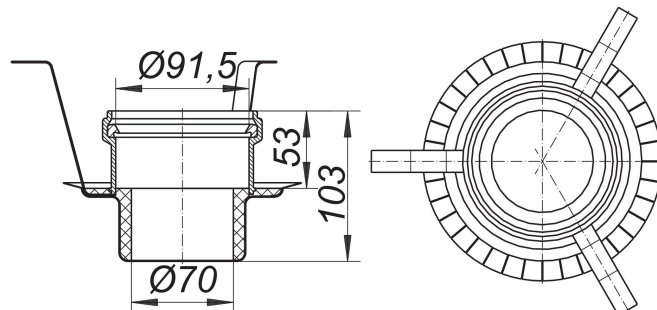


fire and sound-insulating collar - installation kit 3, DN 50

Part number: 515032
 GTIN: 4001636515032
 Rebate group: 3



Description:

fire and sound-insulating collar - installation kit 3, DN 50
 used with shower drains ORIO V and 49 KE, DN 50 size.
 For installation in core drills (d: 140/150 mm) in F 30/60/90/120 rated floors.

specification:

- insertion element
- intumescent material
- built-in hangers
- mortar guard
- blanking plate

connects to:

plastic pipework DN 50 with couplings,
 cast iron pipework DN 50 with DALLMER HT/SML pipe coupling DN 50/DN 50 (part-no. 880024)