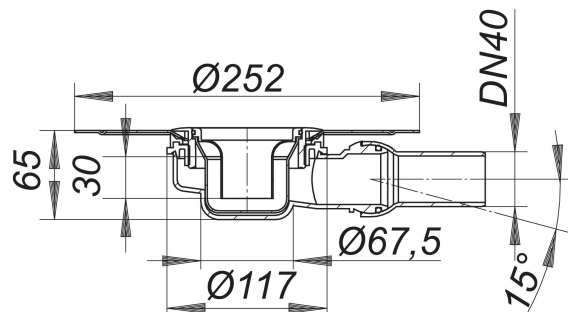
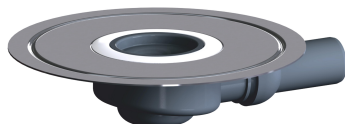


shower drain ORIO 60 N, DN 40

Part number: 160379

GTIN: 4001636160379

Rebate group: 5



Description:

shower drain ORIO 60 N, DN 40
for one-piece stone shower trays
outlet DN 40 horizontal with ball joint adjustable 0 – 15 degrees

specification

- stainless steel reinforcing plate
- removable trap insert, 30 mm water seal (deviating to DIN EN 1253)
- temporary blanking plate/installation key

material

polypropylene

Flow rates tested to DIN EN 274:

Nominal diameter	Product standard	Min. flow rate according to norm	Water level according to norm
DN 40	DIN EN 274	0.40 l/s	15.00 mm

Spare parts:

160690 trap insert ORIO 60